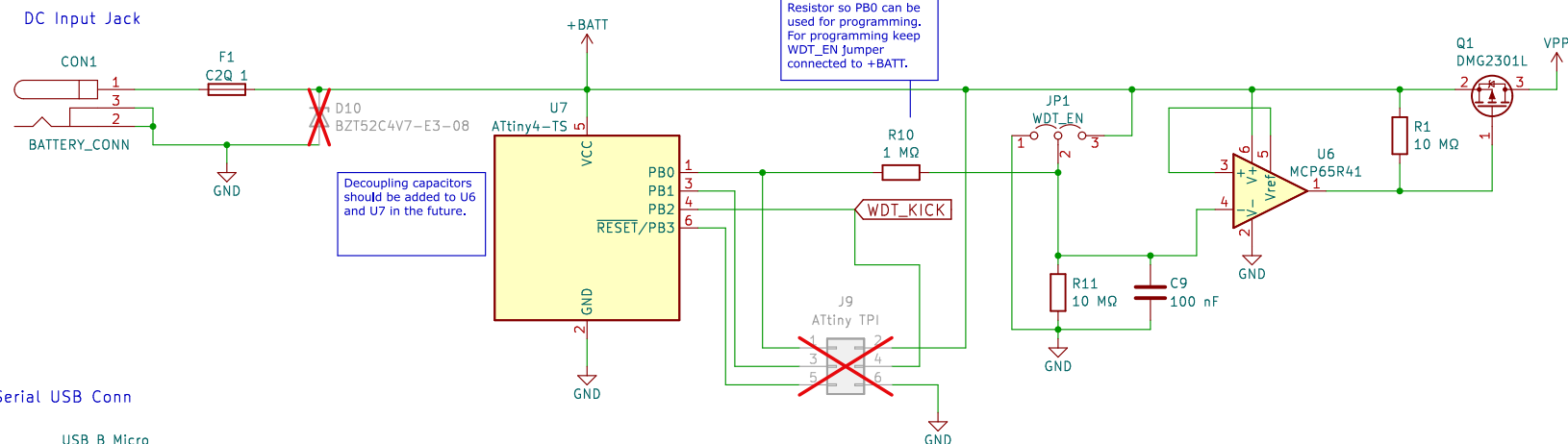
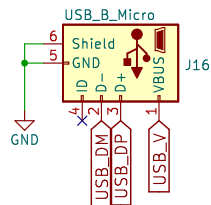


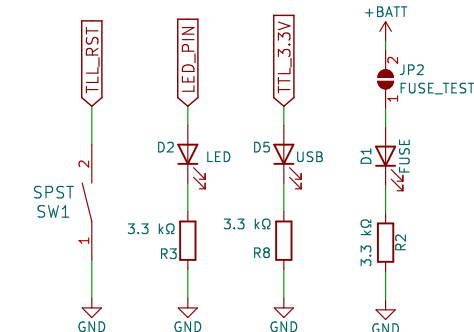
reserved pins are preferred to be used for future internal hardware uses rather than to be broken out



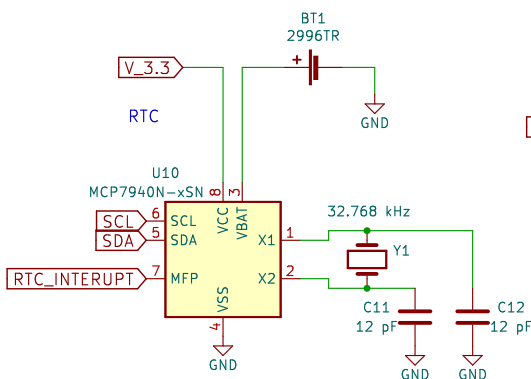
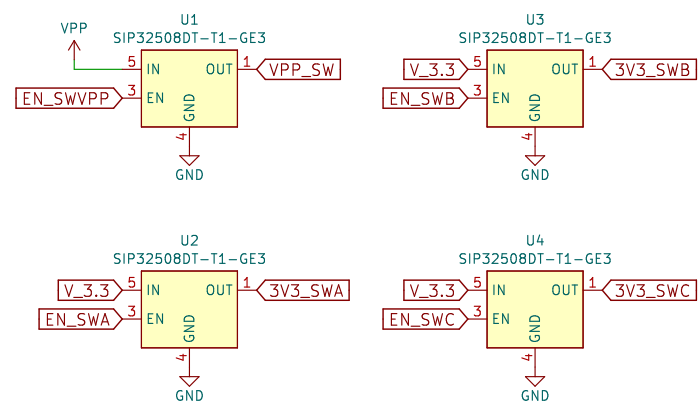
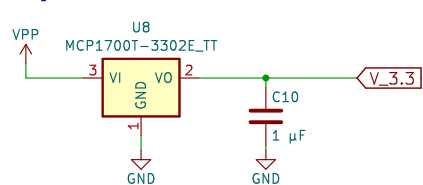
Serial USB Conn



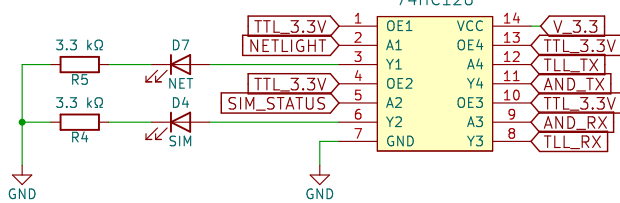
MCU Reset



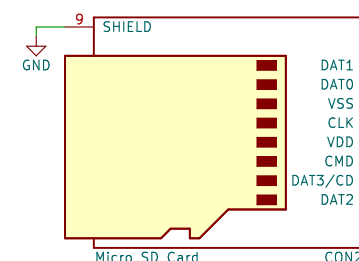
3.3V Voltage Regulation



AND gate (Debug mode enable)

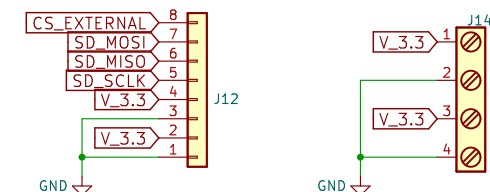
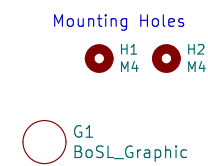
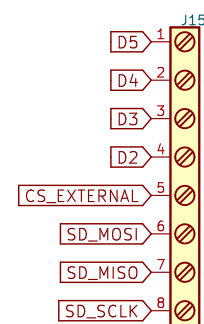
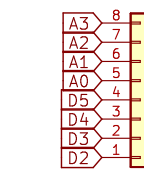
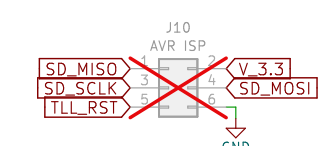
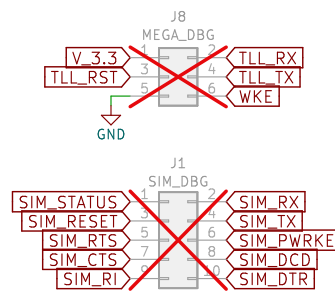
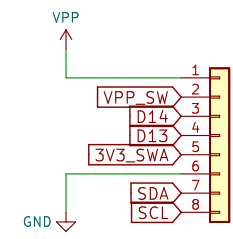
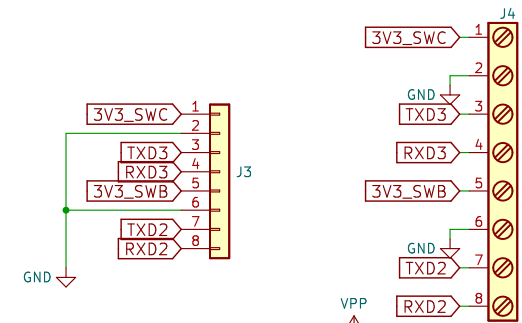


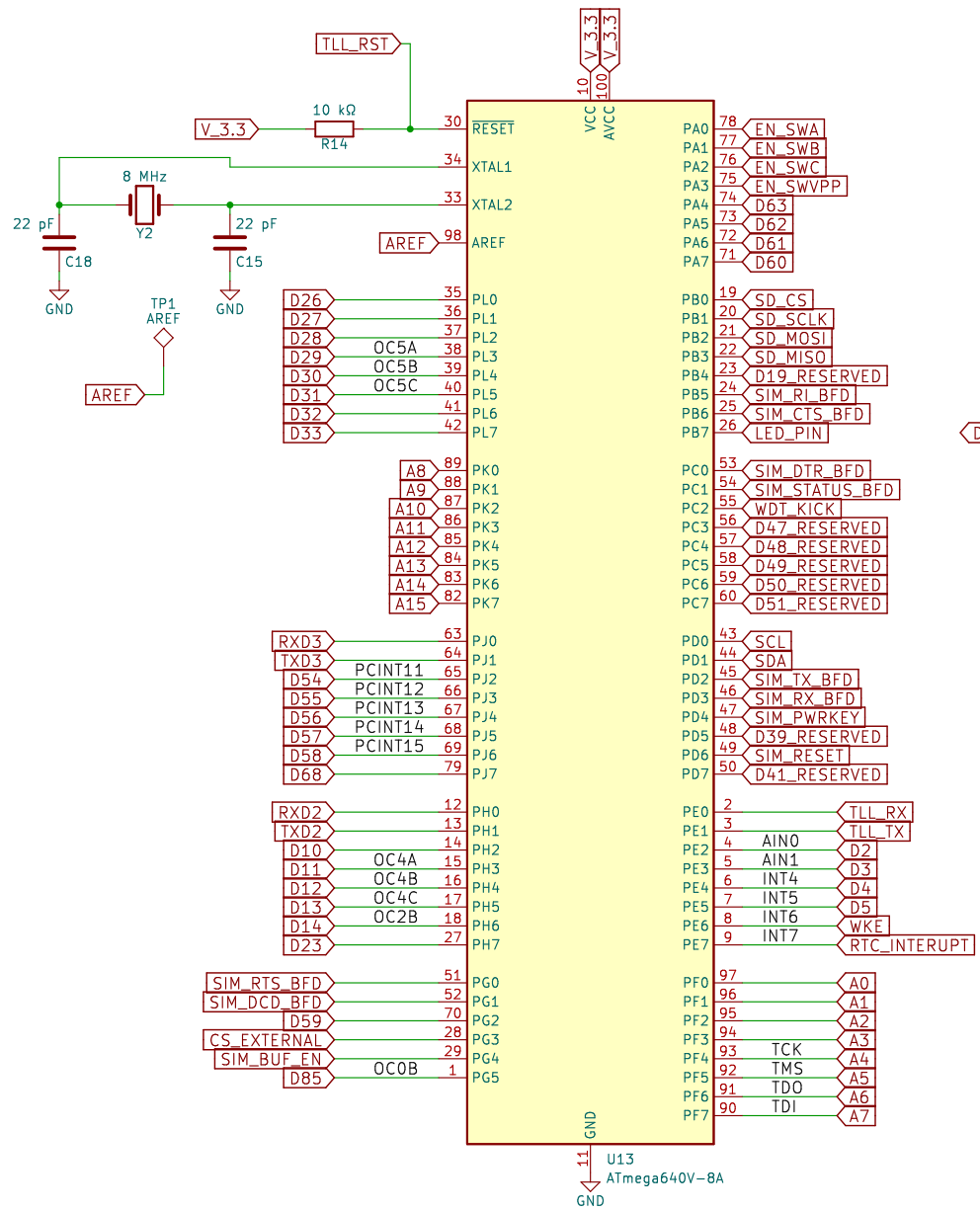
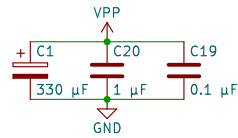
SD_Card



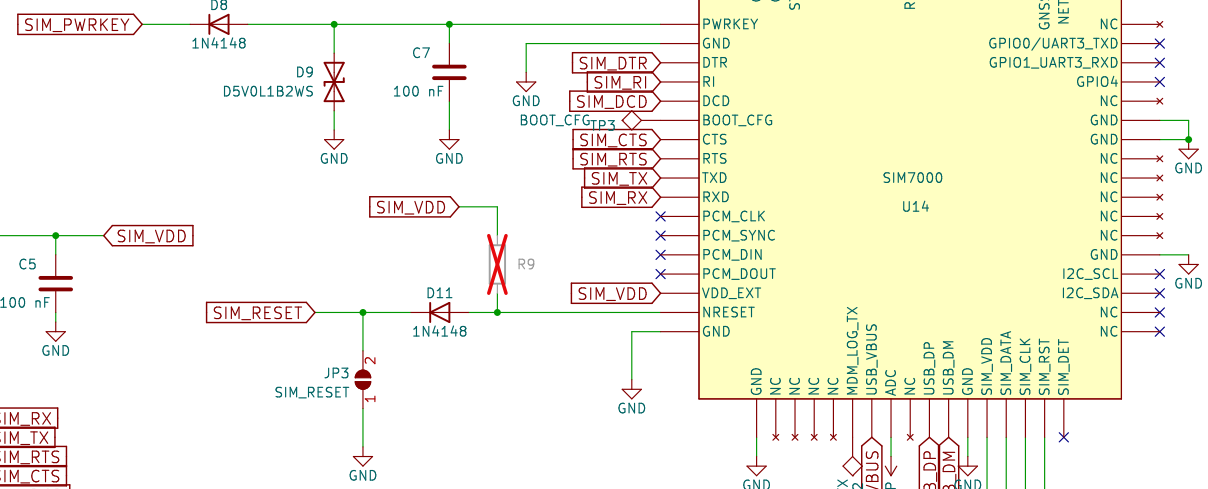
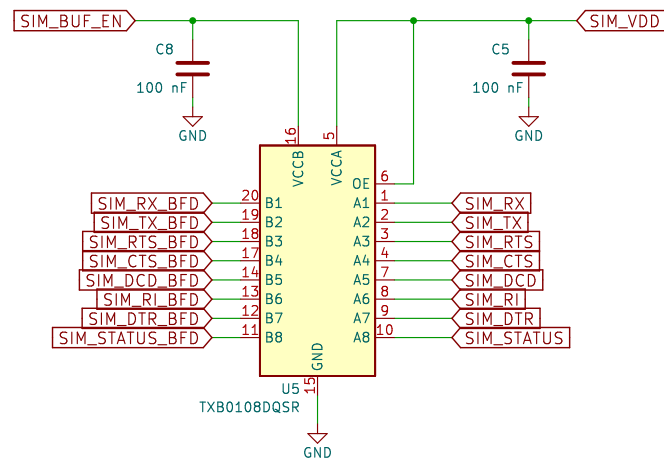
File: atmega_simcom.kicad_sch

Add breakout board





D46_RESERVED



Add breakout for USB here in future version

