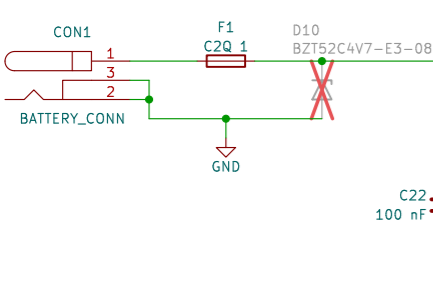
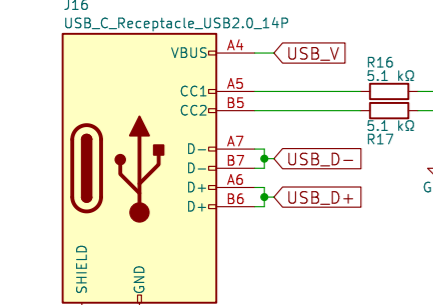


reserved pins are preferred to be used for future internal hardware uses rather than to be broken out

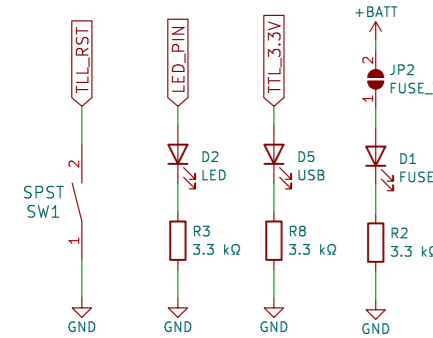
### DC Input Jack



### Serial USB Conn



### MCU Reset



### 3.3V Voltage Regulation

