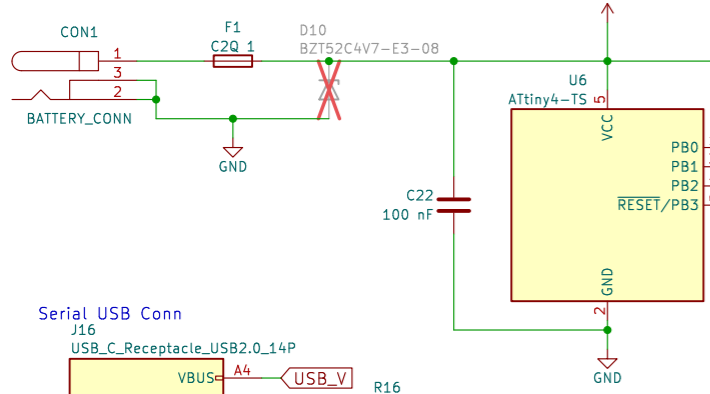
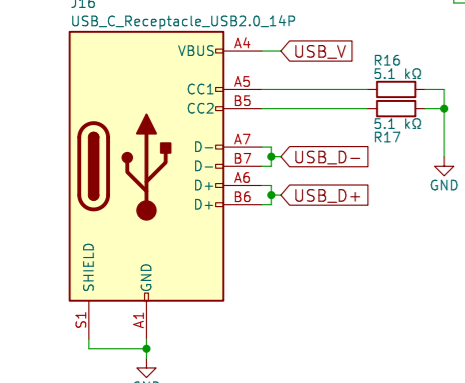


reserved pins are preferred to be used for future internal hardware uses rather than to be broken out

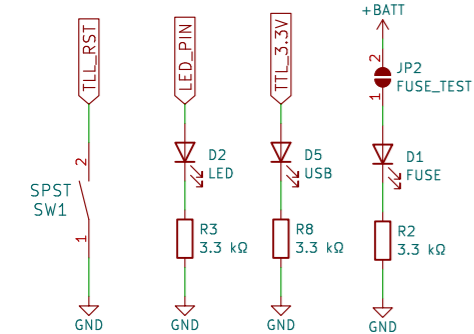
DC Input Jack



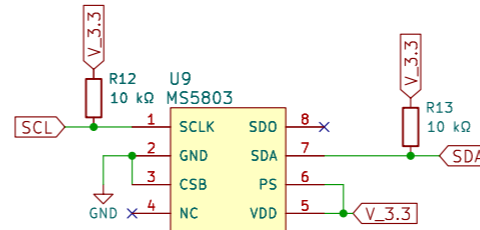
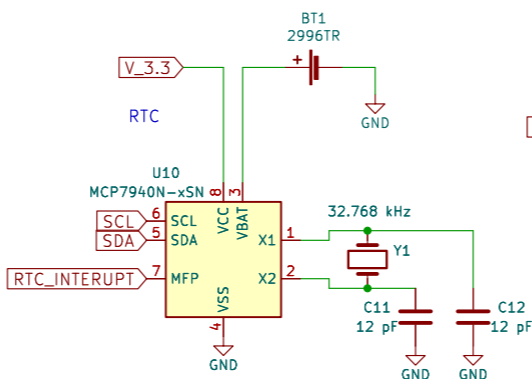
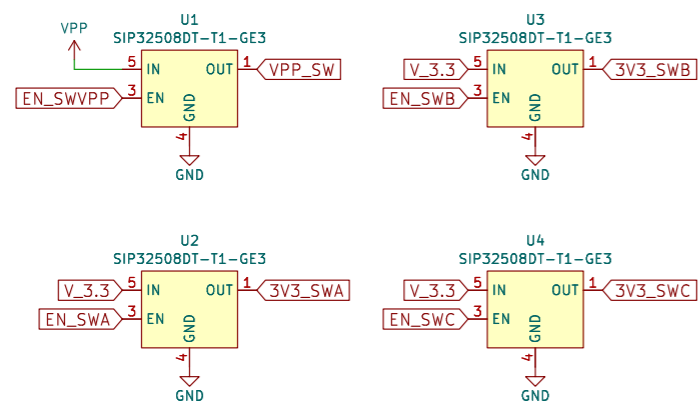
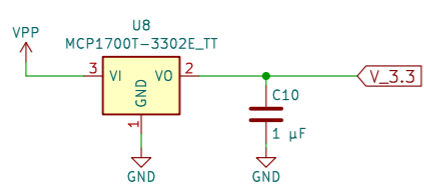
Serial USB Conn



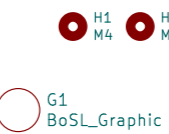
MCU Reset



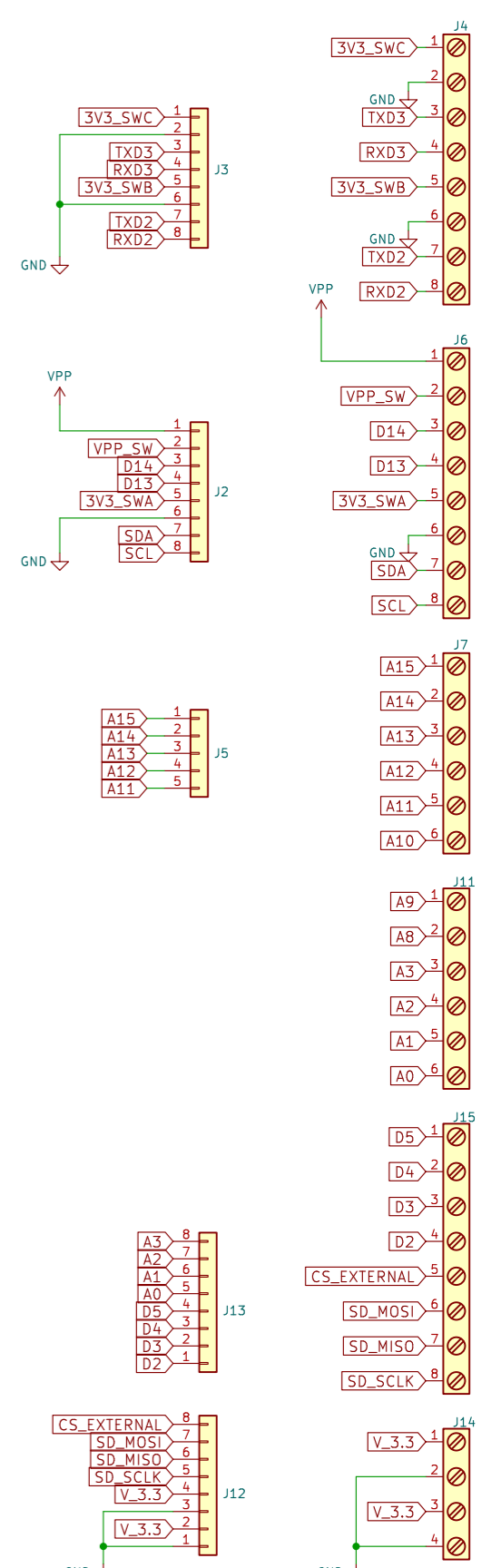
3.3V Voltage Regulation



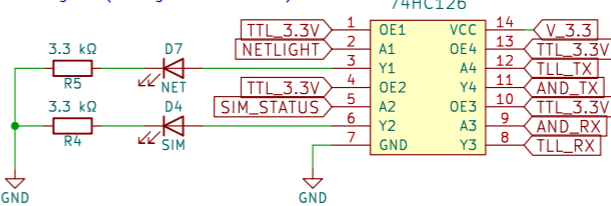
Mounting Holes



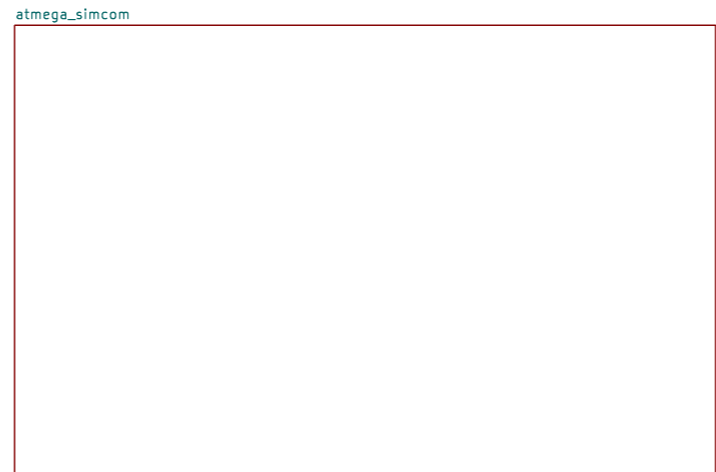
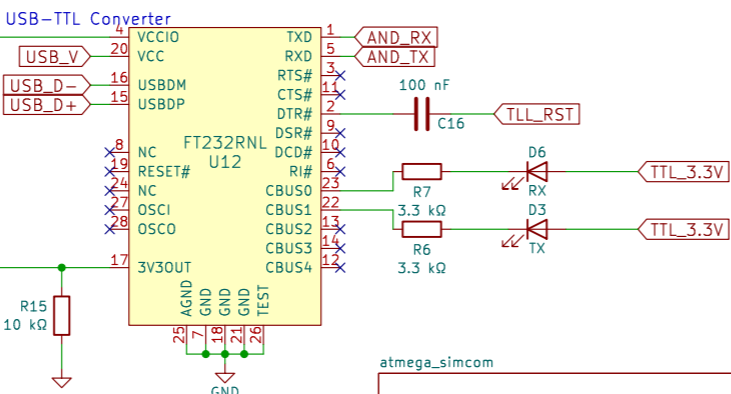
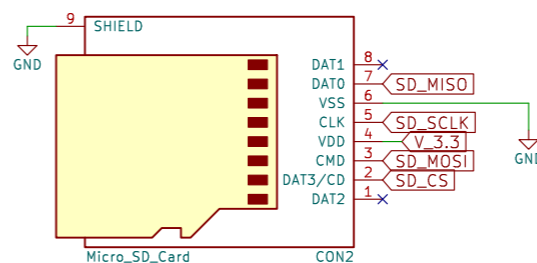
Add breakout board



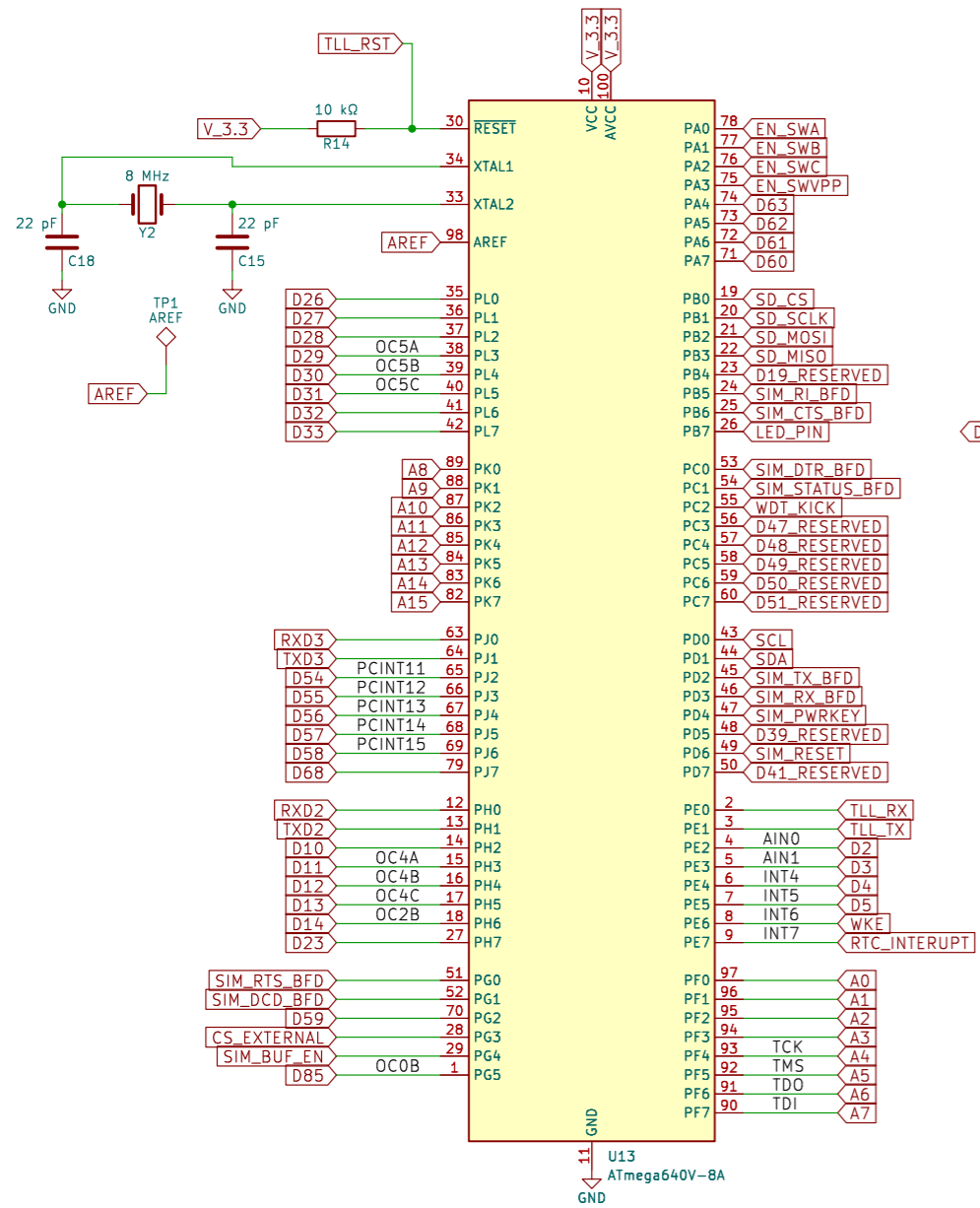
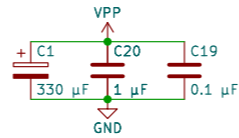
AND gate (Debug mode enable)



SD_Card



File: atmega_simcom.kicad_sch



D46_RESERVED

