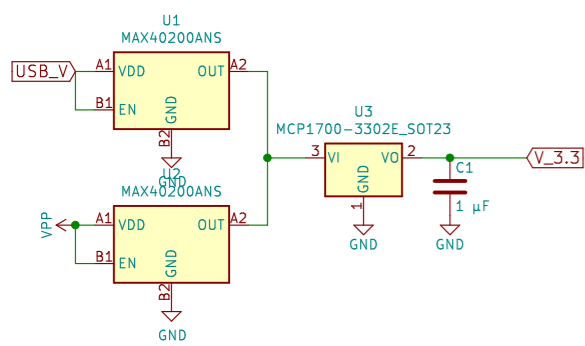
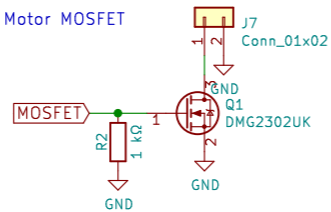


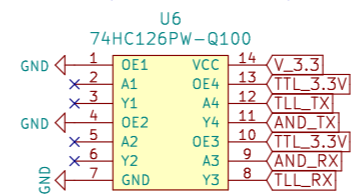
3.3V Voltage Regulation



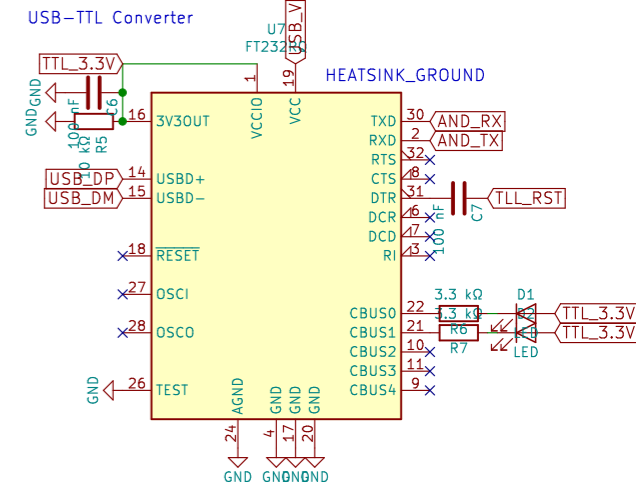
Motor MOSFET



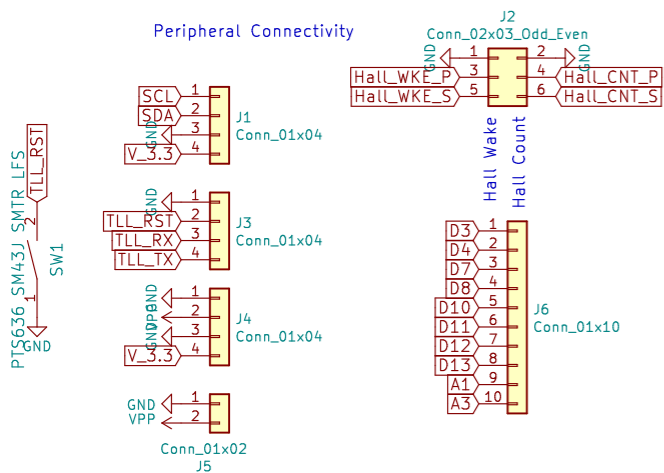
AND gate (Debug mode enable)



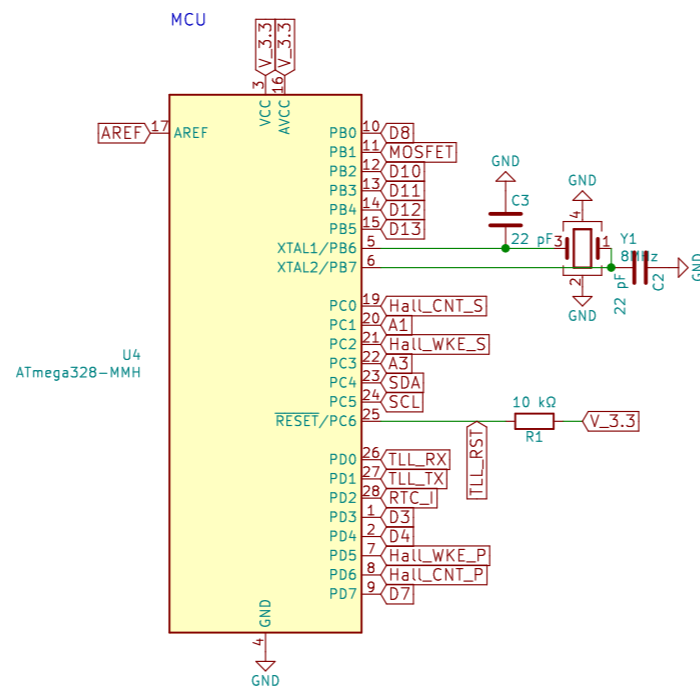
USB-TTL Converter



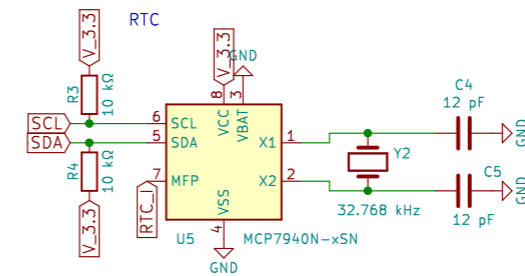
Peripheral Connectivity



MCU



RTC



Serial USB Conn

