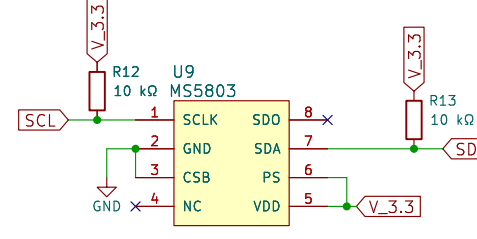
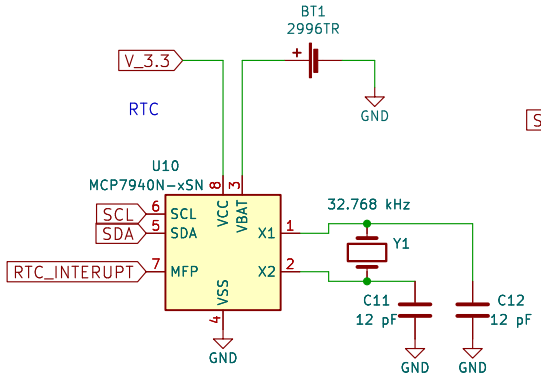
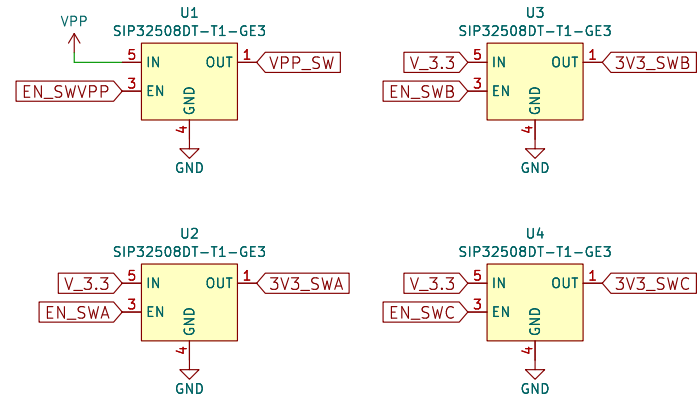
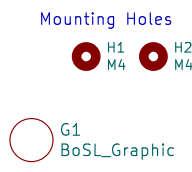
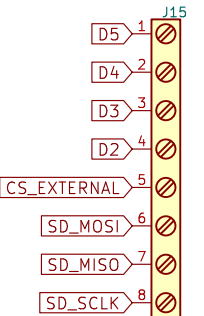
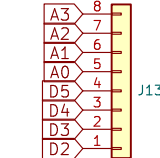
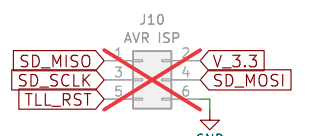
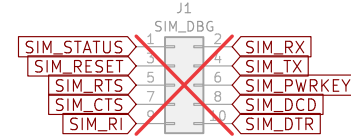
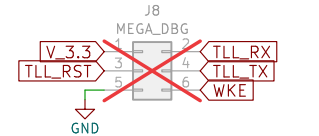
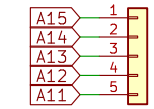
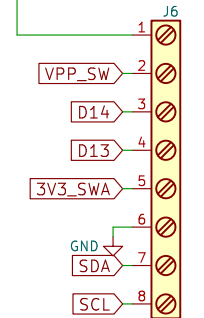
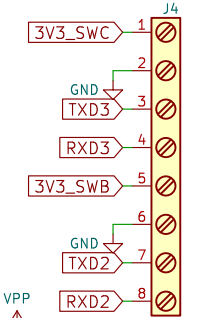
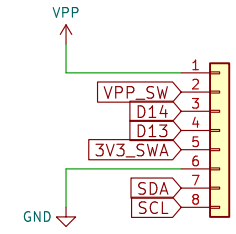
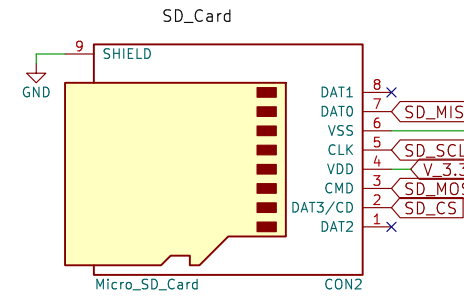
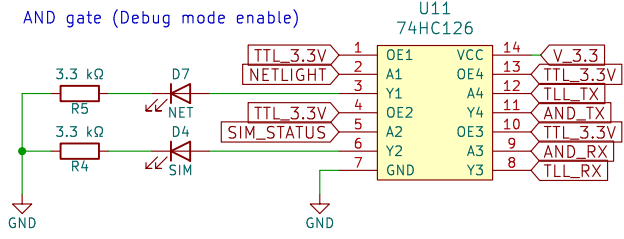
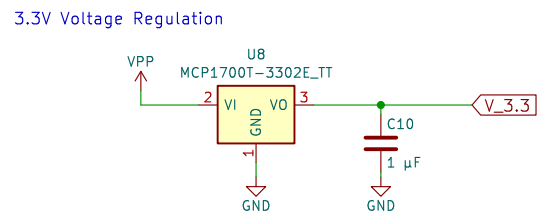
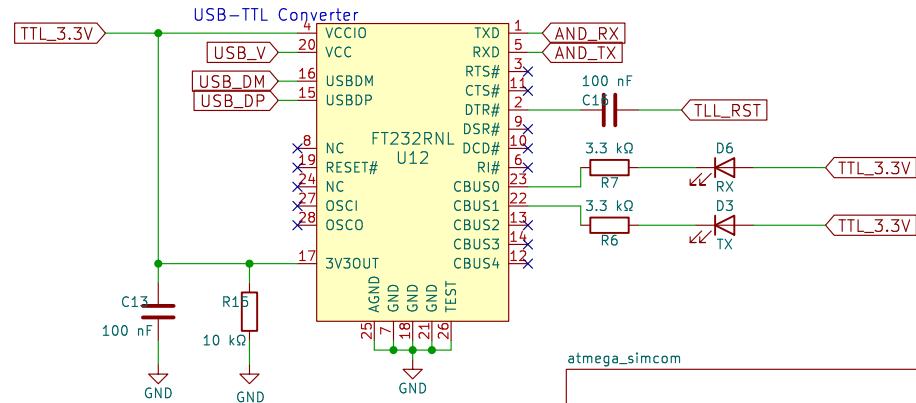
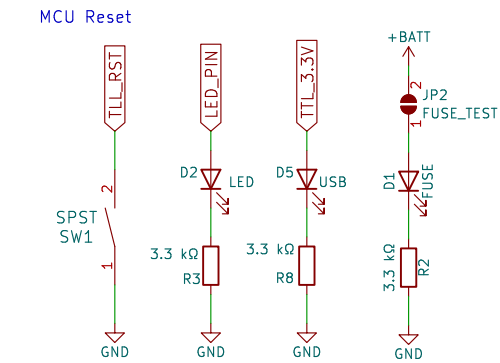
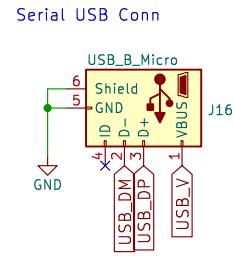
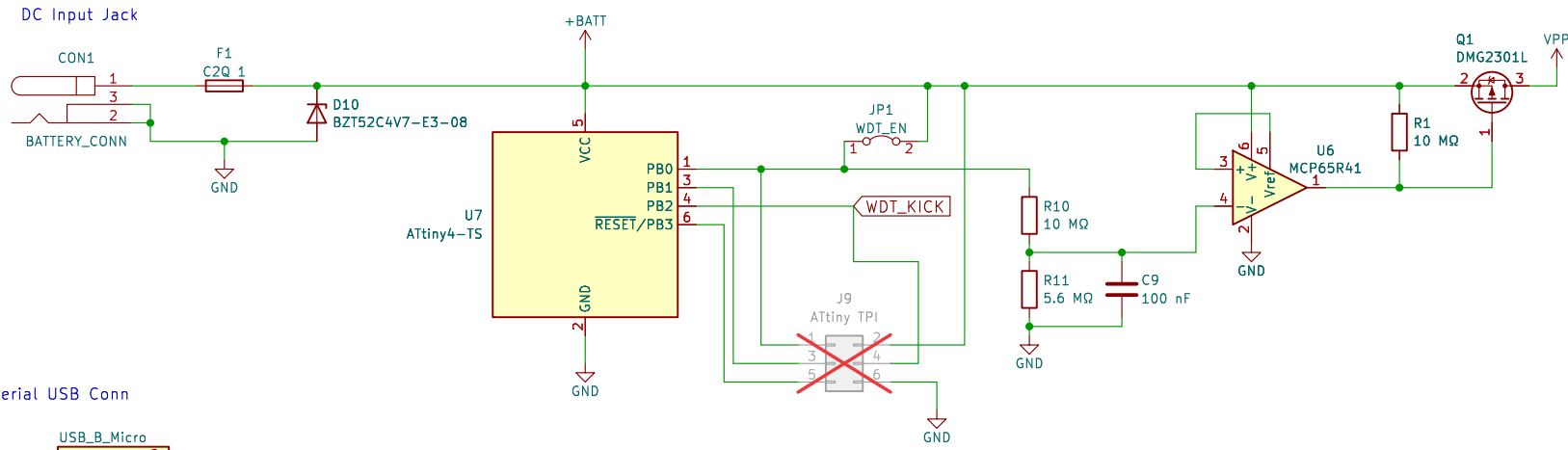
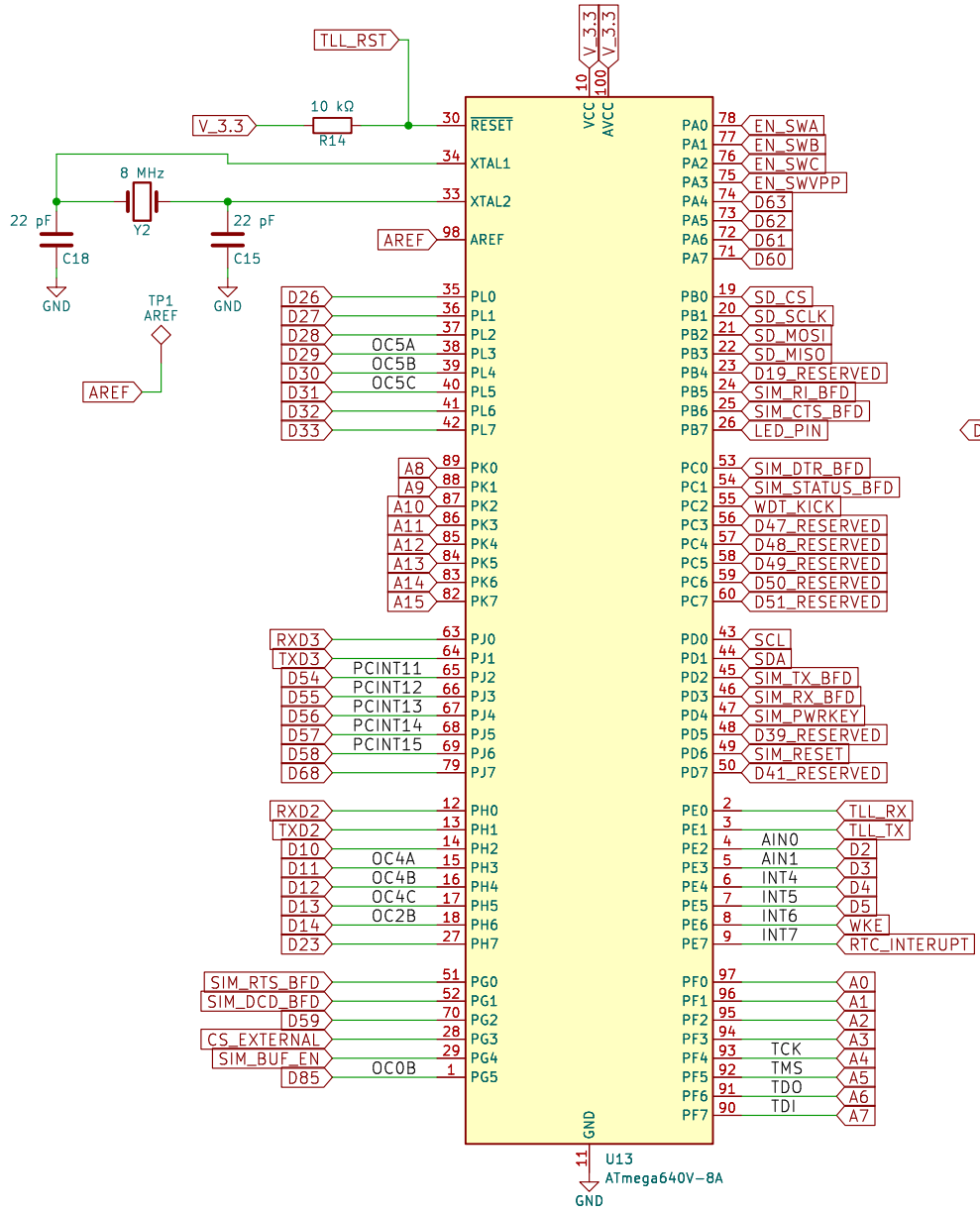


reserved pins are preferred to be used for future internal hardware uses rather than to be broken out



Sheet: /		
File: BoSL.kicad_sch		
Title: Monash BoSL Board		
Size: A3	Date: 2023-09-09	Rev: 0.5.0
KiCad E.D.A. kicad 7.0.6		Id: 1/2



D46_RESERVED

