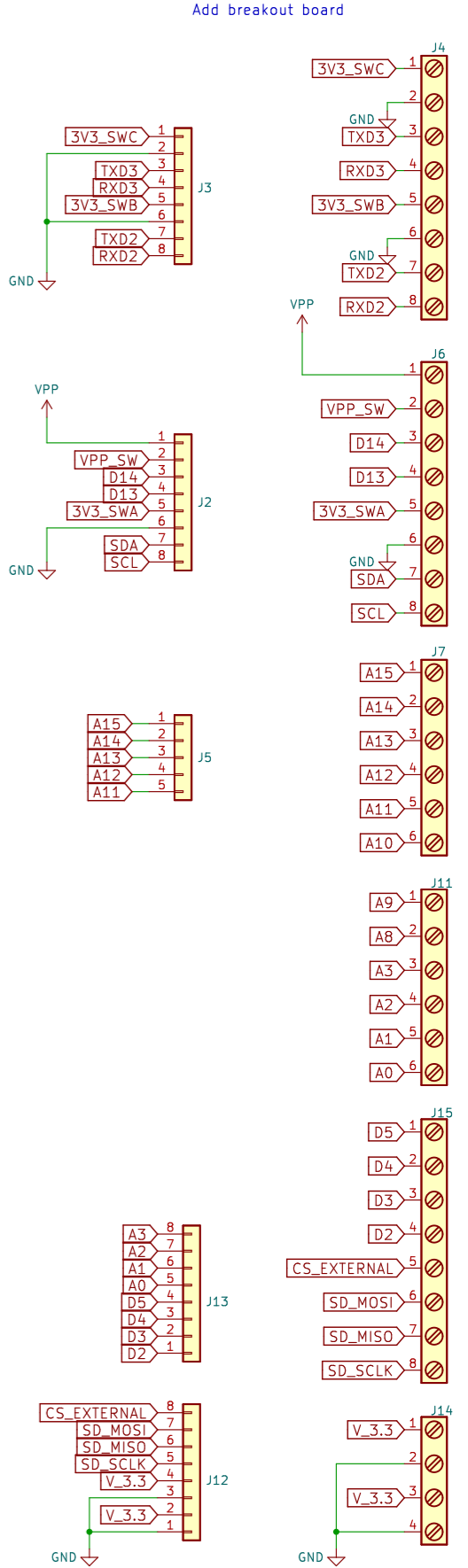
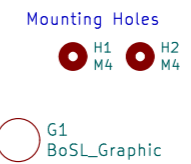
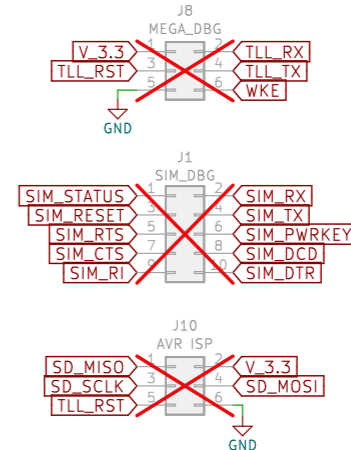
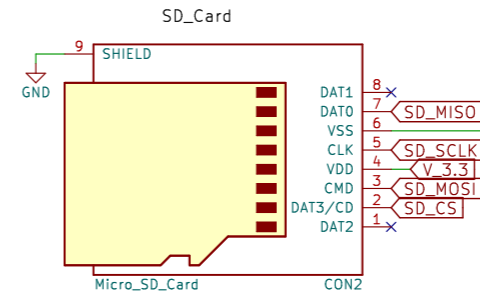
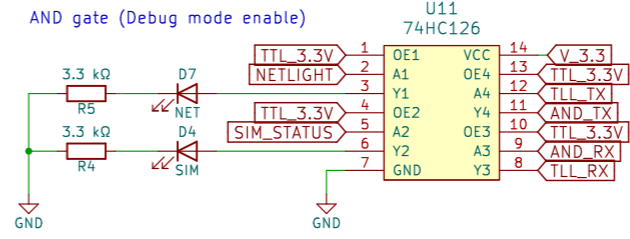
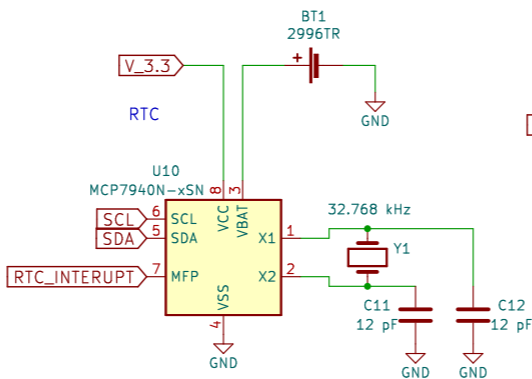
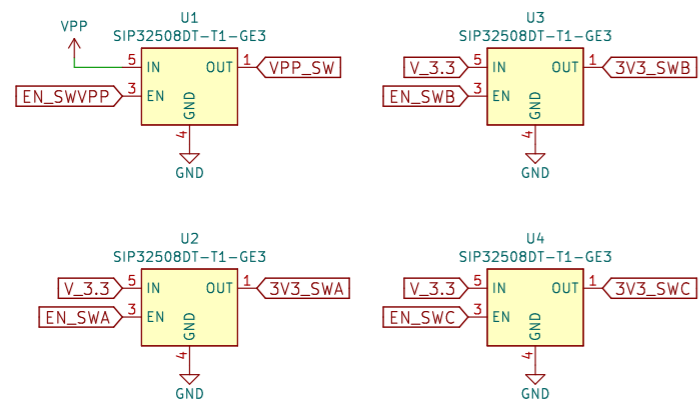
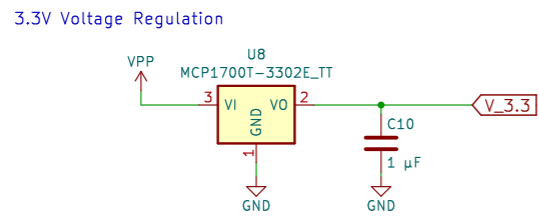
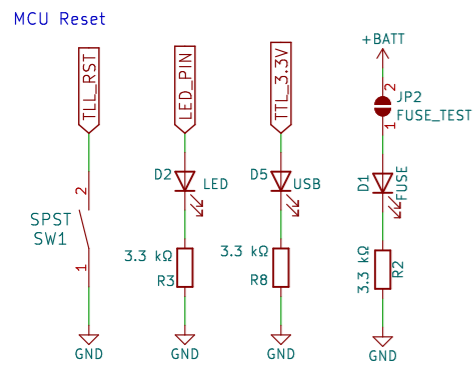
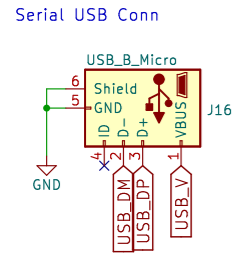
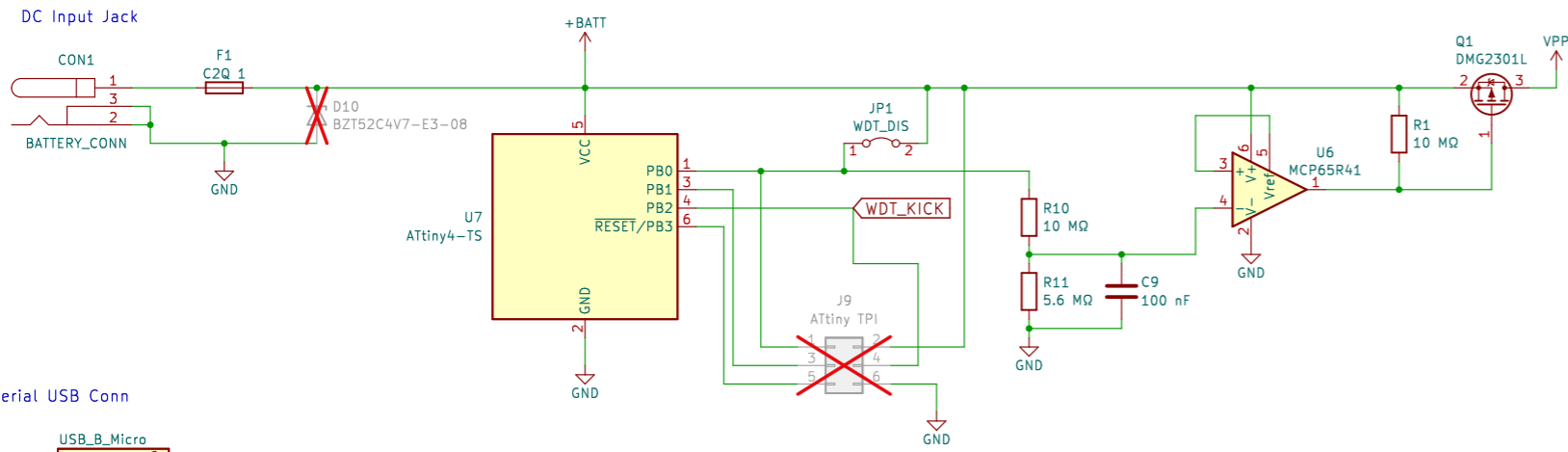
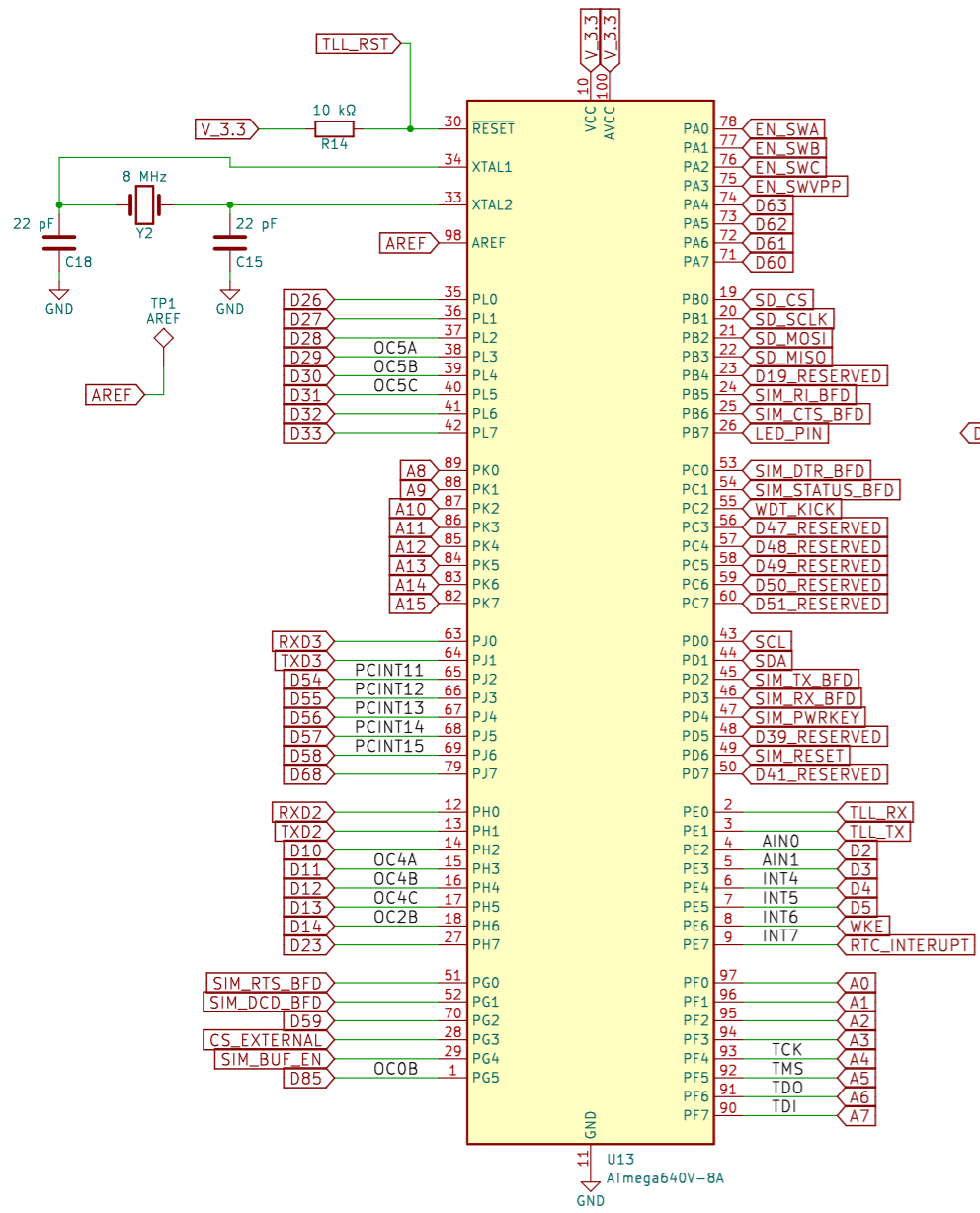
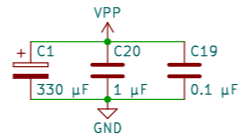
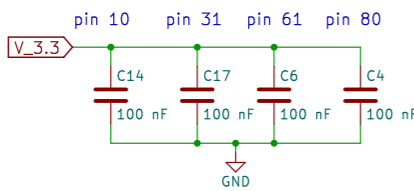
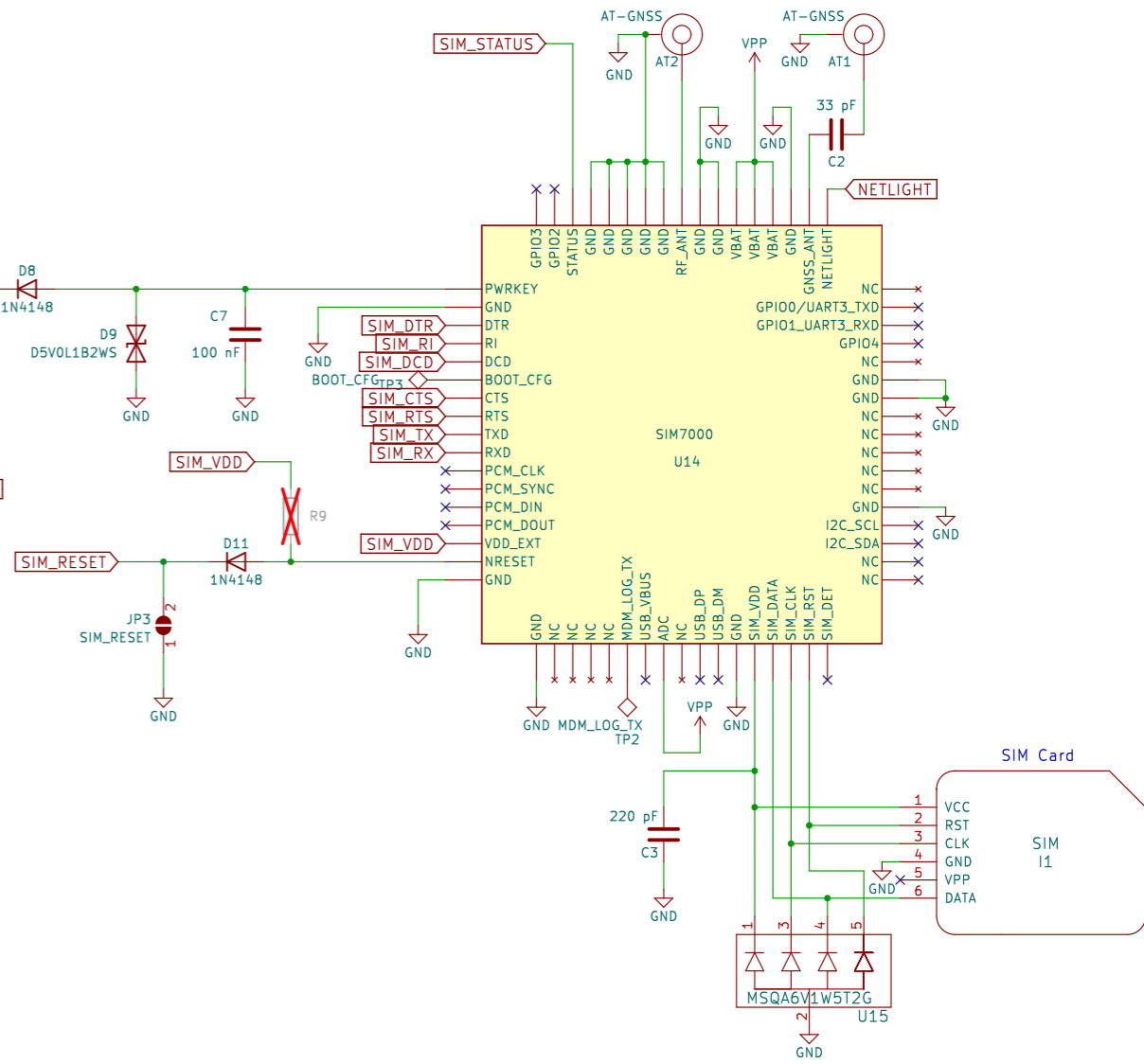
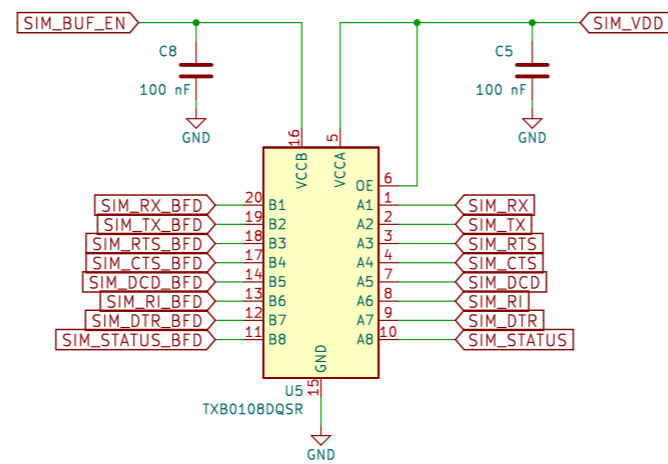


reserved pins are preferred to be used for future internal hardware uses rather than to be broken out





D46_RESERVED



Sheet: /atmega_simcom/		
File: atmega_simcom.kicad_sch		
Title: Monash BoSL Board		
Size: A3	Date: 2023-12-19	Rev: 0.5.2
KiCad E.D.A. kicad 7.0.6		Id: 2/2